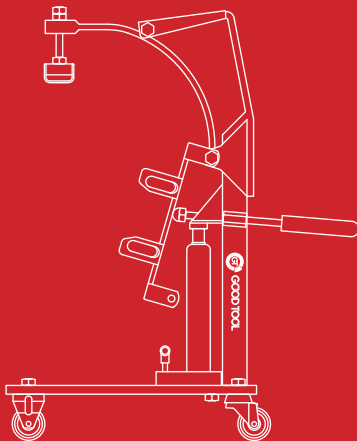




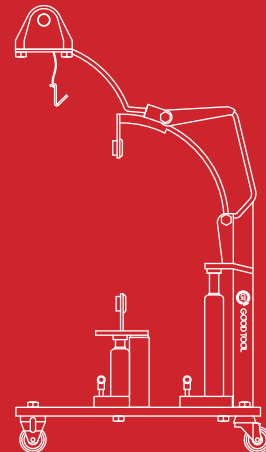
GOOD TOOL

QUICK USER MANUAL

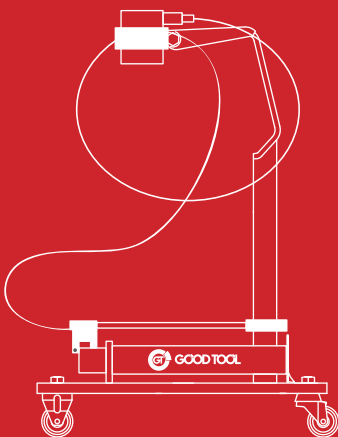
BT¹ BRAKE TRUCK I



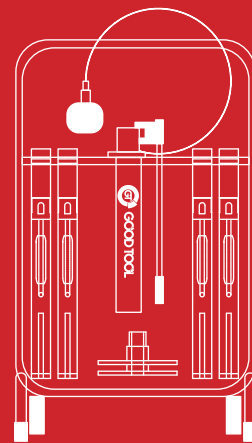
BT² BRAKE TRUCK II

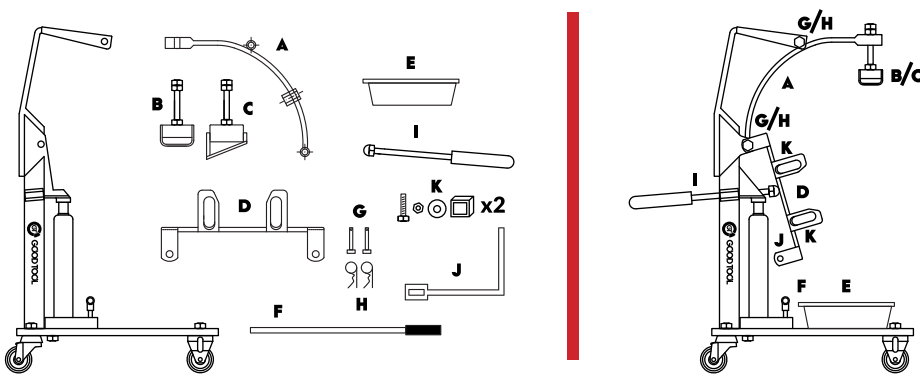


DE¹ DISC EXTRACTOR I



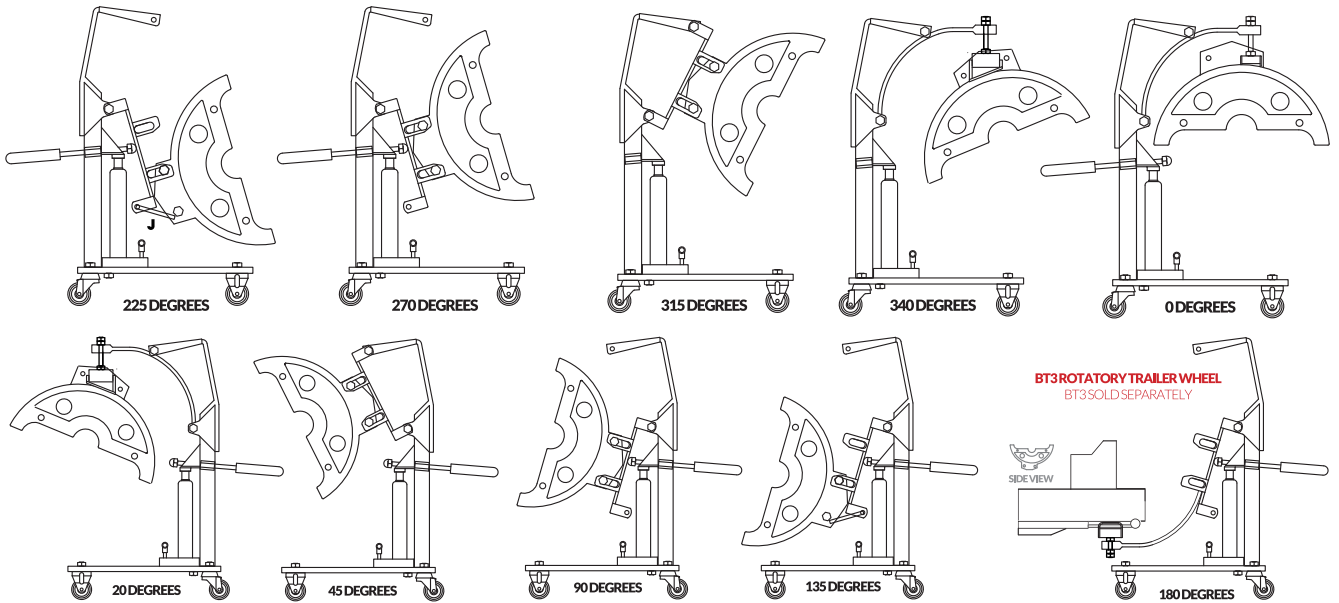
WE¹ WHEEL EXTRACTOR I



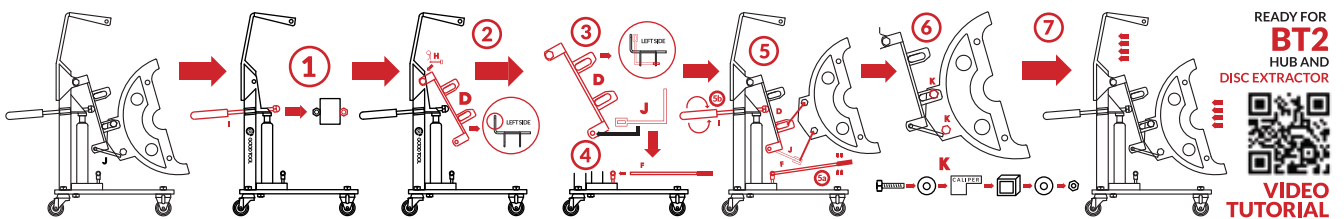


- A: FASTENING ARCH
- B: HANGING BRACKET
- C: HANGING BRACKET DAF/PACCAR
- D: CALIPER FASTENING PLATE
- E: MAGNETIZED TRAY
- F: LIFT JACK BAR
- G: BOLTS
- H: SAFETY CLIP
- I: INCLINE CONTROLLER
- J: TRAILER/MERCEDES ADAPTOR
- K: SCREWS, WASHERS, SPACE PIPE, NUT

APPLICATION



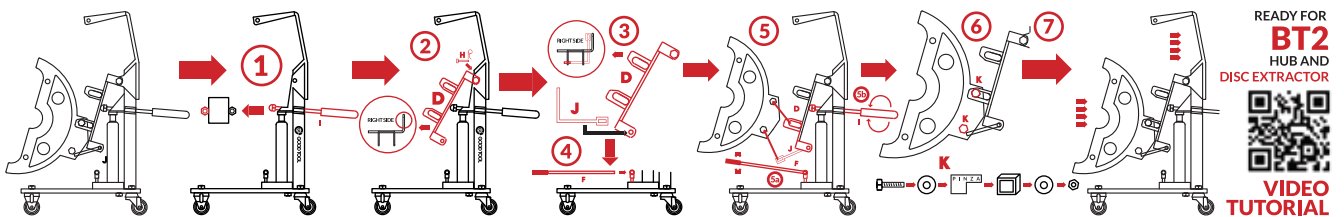
225 DEGREES



READY FOR
BT2
HUB AND
DISC EXTRACTOR

VIDEO TUTORIAL

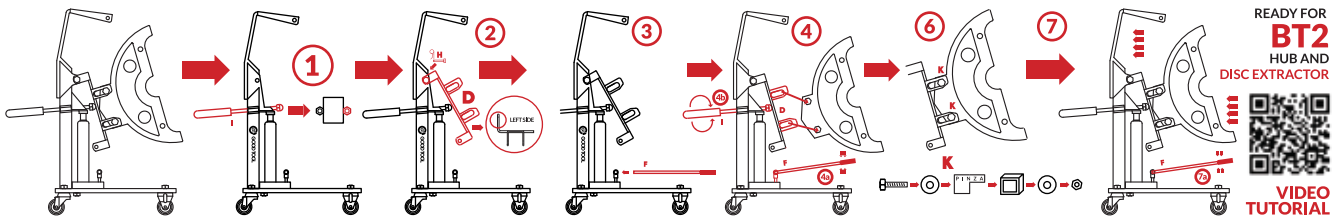
135 DEGREES



READY FOR
BT2
HUB AND
DISC EXTRACTOR

VIDEO TUTORIAL

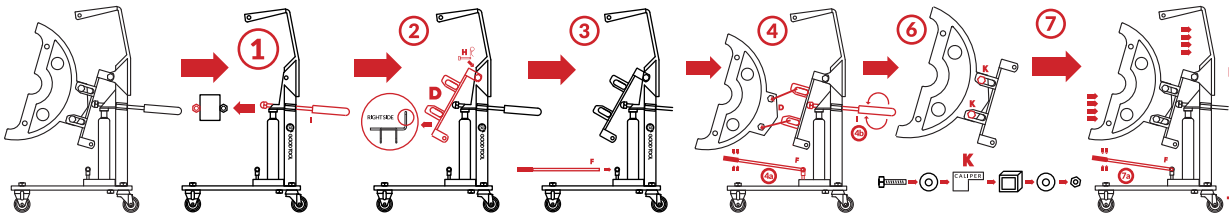
270 DEGREES



READY FOR
BT2
HUB AND
DISC EXTRACTOR

VIDEO TUTORIAL

90 DEGREES

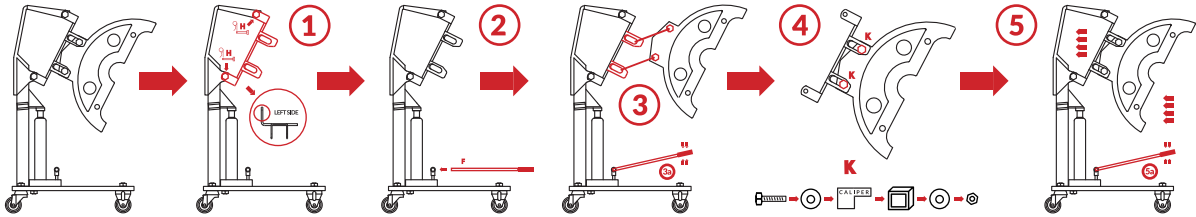


READY FOR
BT2
HUB AND
DISC EXTRACTOR



VIDEO
TUTORIAL

315 DEGREES

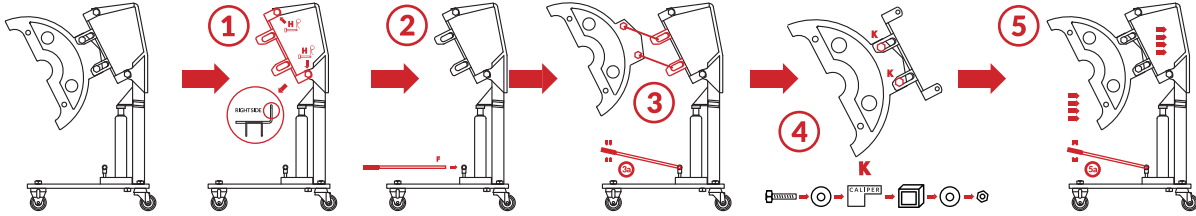


READY FOR
BT2
HUB AND
DISC EXTRACTOR



VIDEO
TUTORIAL

45 DEGREES

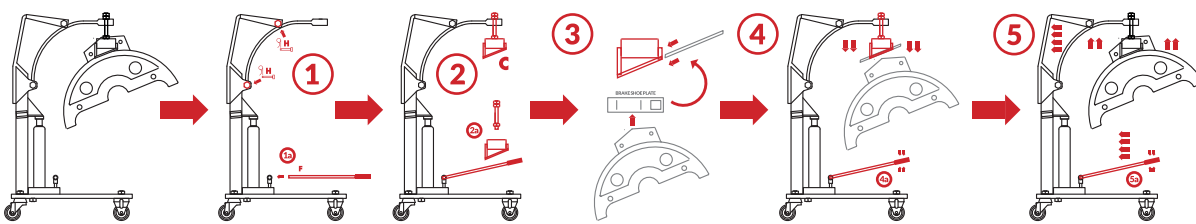


READY FOR
BT2
HUB AND
DISC EXTRACTOR



VIDEO
TUTORIAL

340 DEGREES

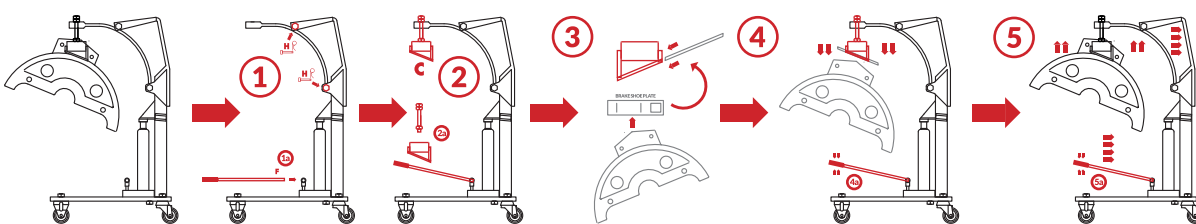


READY FOR
BT2
HUB AND
DISC EXTRACTOR



VIDEO
TUTORIAL

20 DEGREES

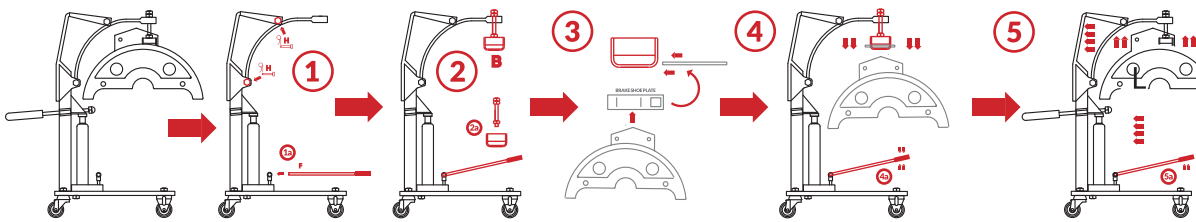


READY FOR
BT2
HUB AND
DISC EXTRACTOR



VIDEO
TUTORIAL

0 DEGREES



READY FOR
BT2
HUB AND
DISC EXTRACTOR



VIDEO
TUTORIAL

VIDEO
TUTORIAL



youtu.be/Y2UsPW2YgGg



VIDEO TUTORIAL
SAF HOLLAND
BRAKE DISC REPLACEMENT

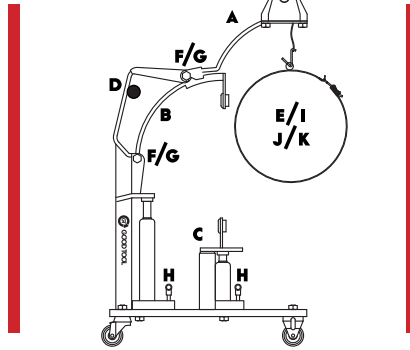
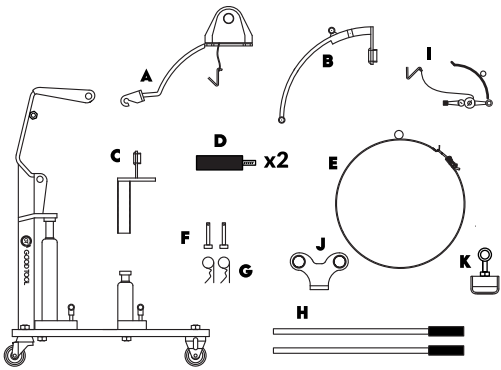


youtu.be/x-rT2cMxC4I



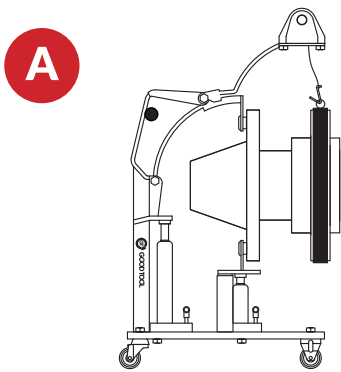


BRAKE TRUCK II



- A: WINCH
- B: UPPER HUB FASTENER
- C: LOWER HUB FASTENER
- D: HANDLE
- E: DISCRING
- F: BOLTS
- G: SAFETY CLIP
- H: LIFT JACK BAR
- I: BRAKE DRUM ADAPTOR
- J: QUICK HUB FASTENER
- K: HANGING BRACKET

APPLICATION

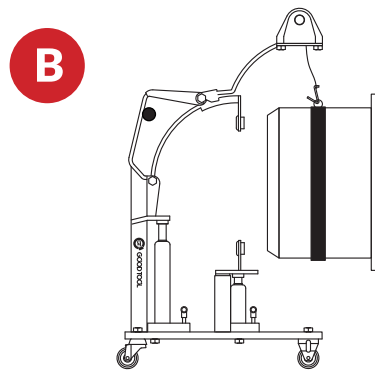


HUB AND BRAKE DISC EXTRACTION

BT2



VIDEO DEMONSTRATION

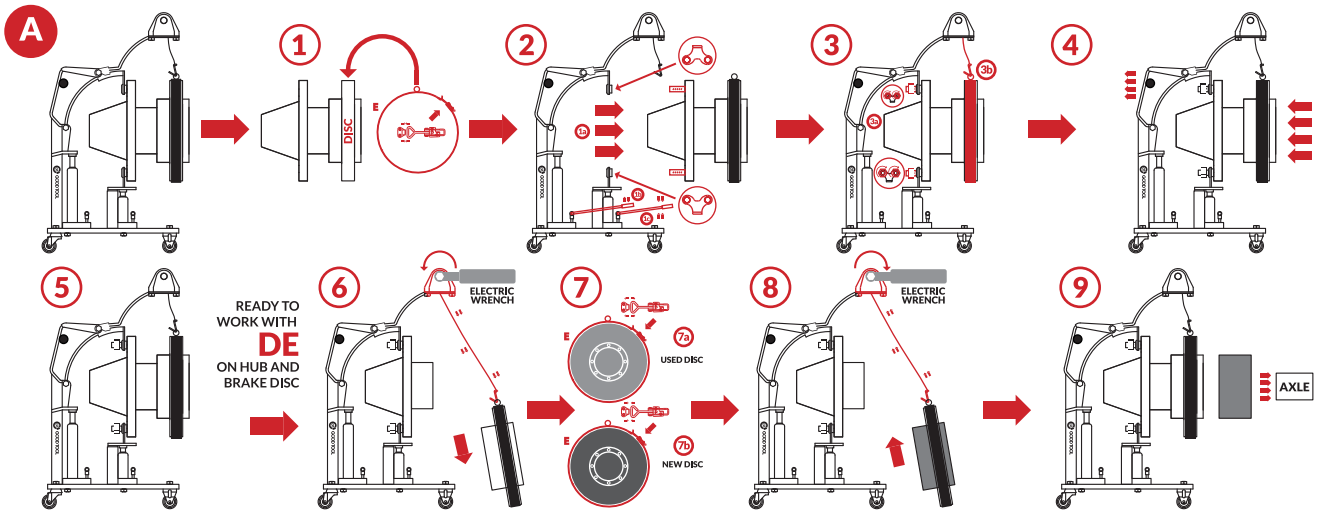


BRAKE DRUM EXTRACTION

BT2



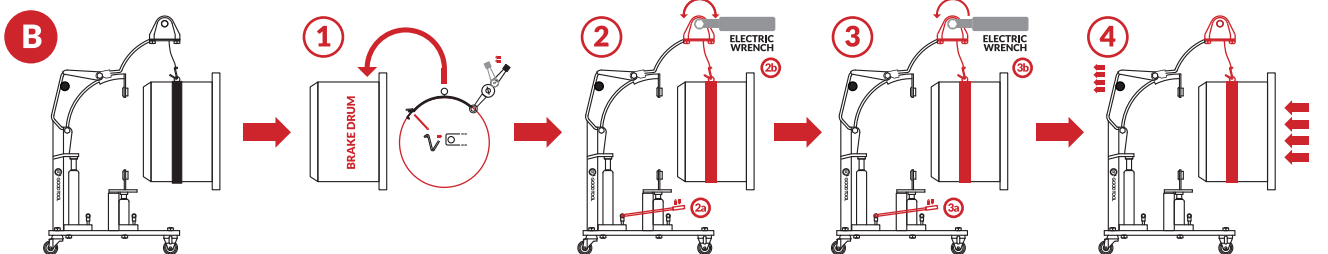
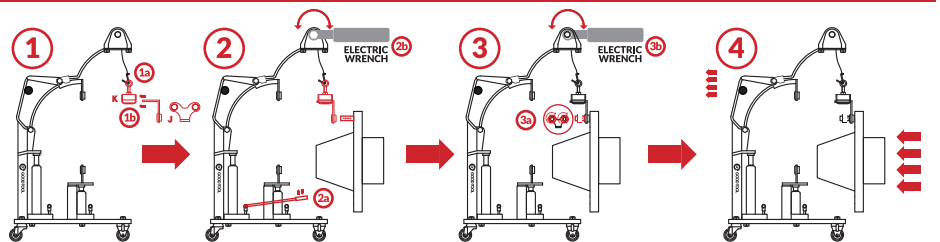
VIDEO DEMONSTRATION



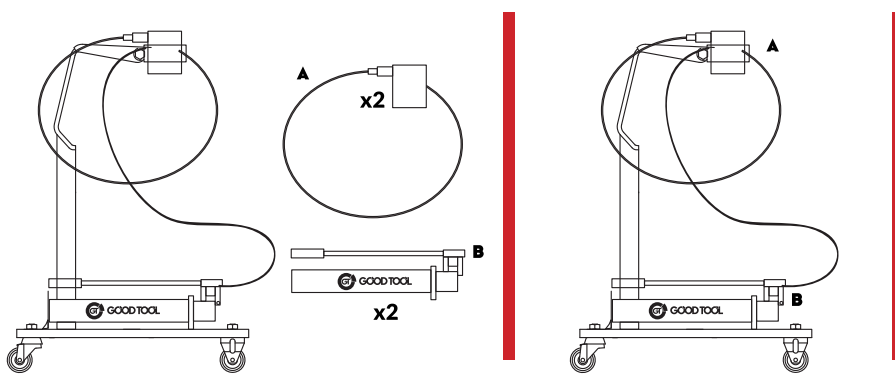
QUICK HUB EXTRACTION



WARNING: THE QUICK HUB EXTRACTION AND BRAKE DRUM ADAPTOR MIGHT INVOLVE UNDESIRED HUB AND BRAKE DRUM OSCILLATION.



DE1 DISC EXTRACTOR I



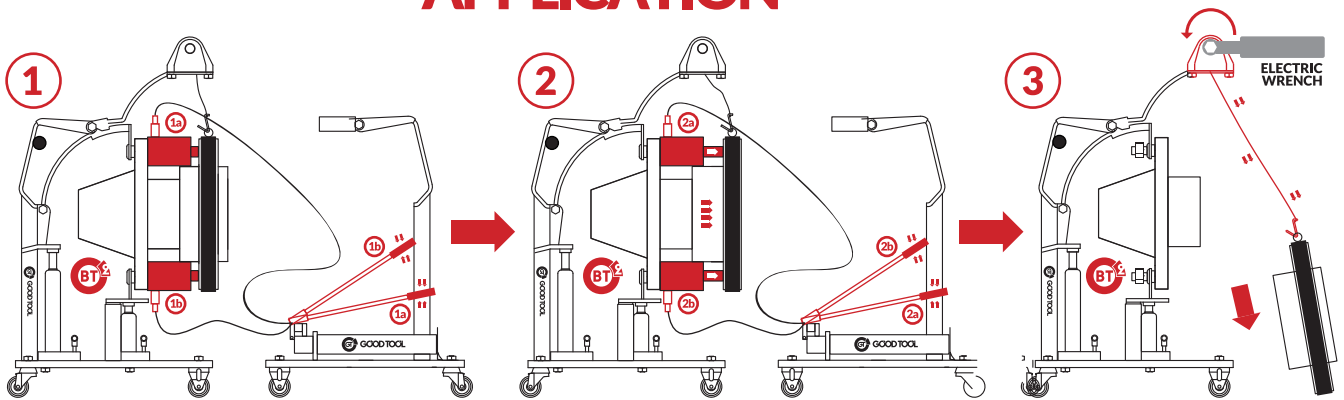
A: CYLINDER
B: MANUAL HYDRAULIC PUMP

VIDEO DEMONSTRATION

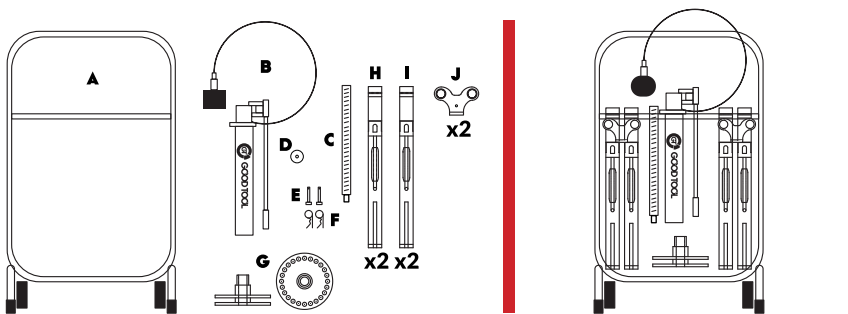
youtu.be/4pt6W1ZaLM4



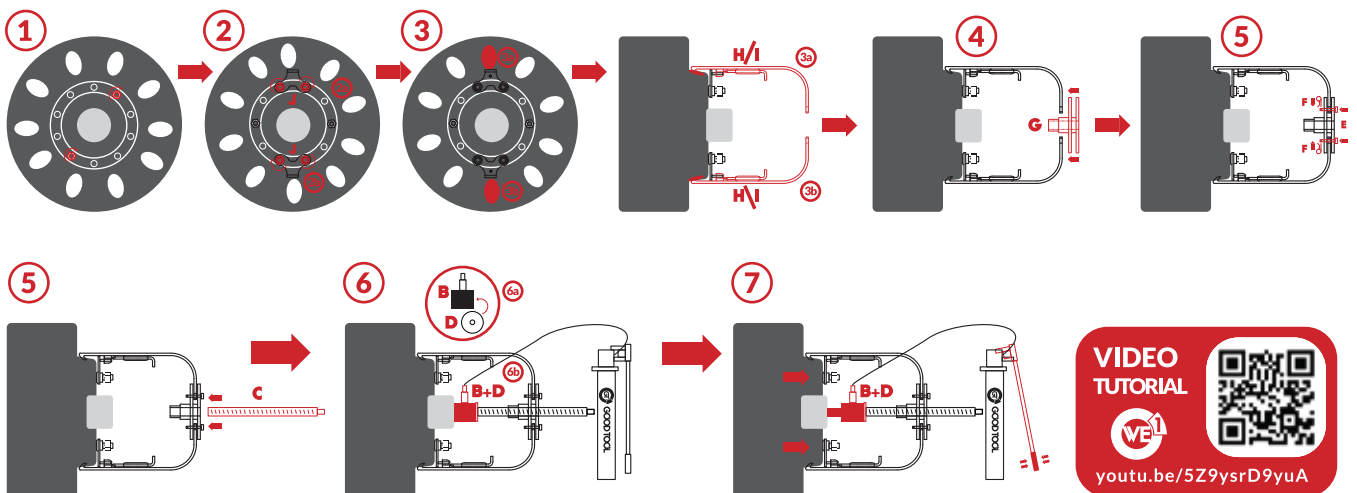
APPLICATION



VE1 WHEEL EXTRACTOR I



A: TROLLEY
B: MANUAL HYDRAULIC PUMP
C: PRESSURE BAR
D: CYLINDER ADAPTOR
E: BOLTS
F: SAFETY CLIPS
G: ASSEMBLY DISC
H: EXTRACTION BARS FOR STEEL RIMS
I: EXTRACTION BARS FOR ALUMINIUM RIMS
J: WHEEL FASTENER



VIDEO TUTORIAL

youtu.be/5Z9ysrD9yuA



OUR SOLUTIONS

DISCOVER THE REST OF OUR
SPECIALIZED ERGONOMIC SOLUTIONS

PT PISTOL TRUCK I



VT WHEEL TRUCK I



BT BRAKE TRUCK I PLUS



BT BRAKE TRUCK II PLUS



RB BATTERY EXTRACTOR



RB RADIATOR EXTRACTOR



RB ALTERNATOR EXTRACTOR



CP CALIPER PARK I

